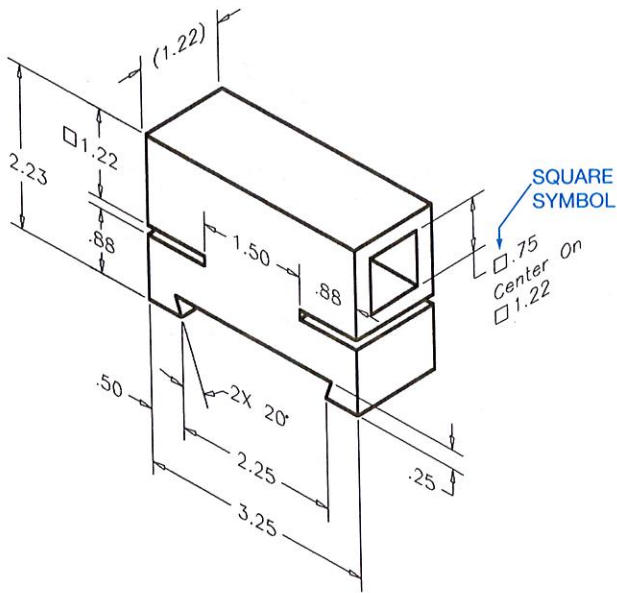


PROBLEM 9.79 Multiviews (in.)

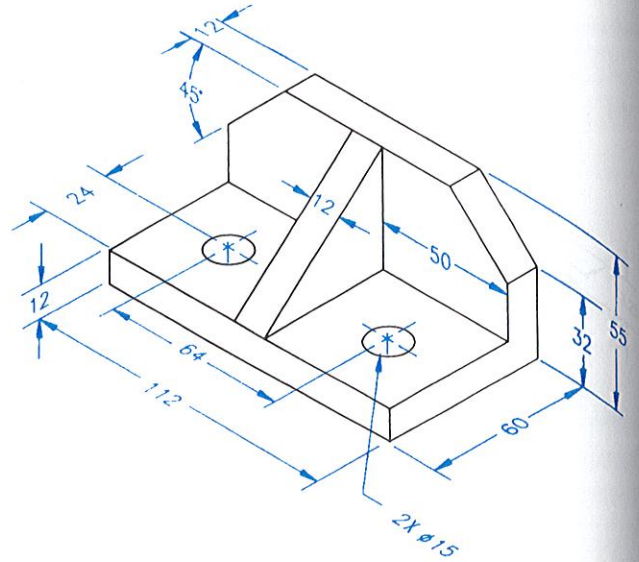
Part Name: Support Bracket
Material: Plastic



PROBLEM 9.81 Multiviews, angles, and holes (metric)

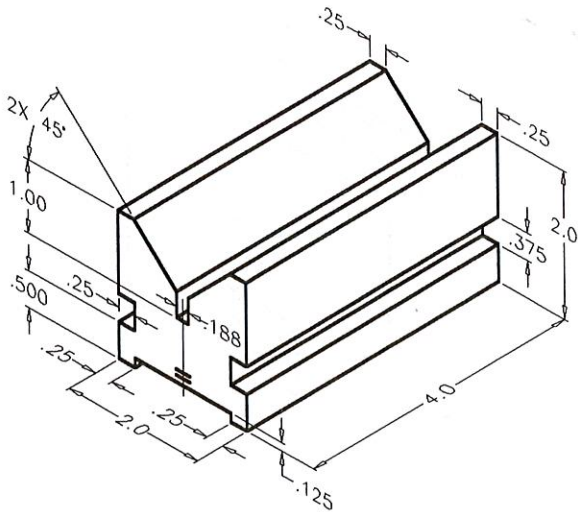
Part Name: Angle Bracket
Material: Mild Steel

SPECIFIC INSTRUCTIONS: Center 2× Ø15 holes and provide location dimension.



PROBLEM 9.80 Multiviews (in.)

Part Name: V-block
Material: A-Steel



PROBLEM 9.82 Multiviews (in.)

Part Name: Support
Material: Mild Steel

