

## Practice Question 5.

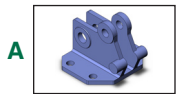
### Advanced Part Modeling

Model the part shown in the figures provided. Use the following information.

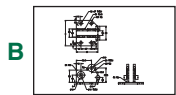
- Unit system: MMGS (millimeter, gram, second)
- Decimal places: 2
- Part origin: Arbitrary
- A = 66
- B = 56
- Material: Cast Carbon Steel

What is the overall mass of the part in grams?

- A. 205.19
- B. 237.10
- C. 305.66
- D. 442.33

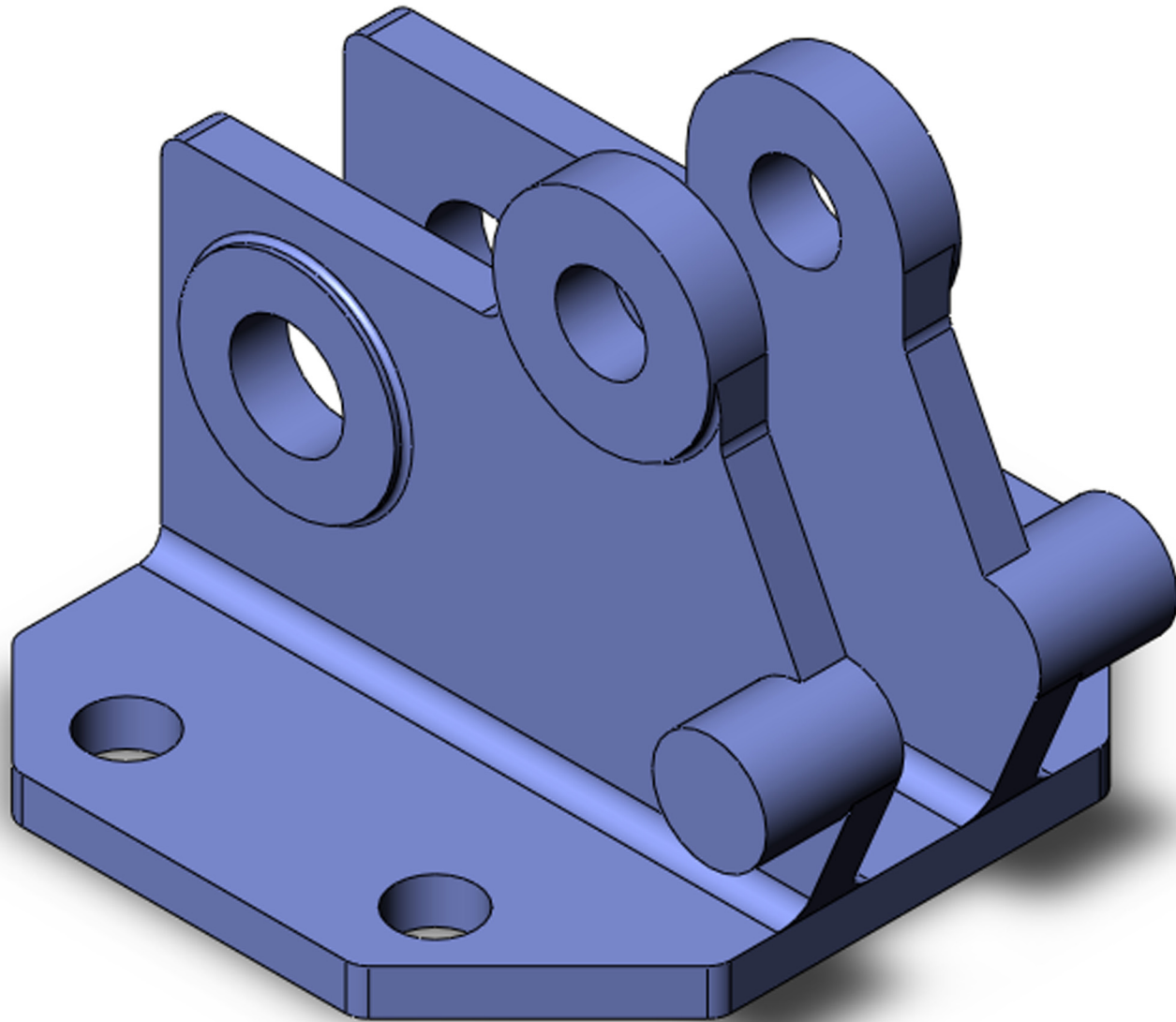


Please click to enlarge



Please click to enlarge

## Practice Question 5A



# Practice Question 5B

