

Practice Question 2.

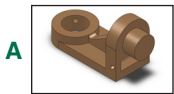
Part Modeling

Model the part shown in the figures provided. Use the following information.

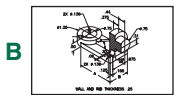
- Unit system: IPS (inch, pound, second)
- Decimal places: 2
- Part origin: Arbitrary
- $A = 2.125$
- $B = 1.25$
- Material: Alloy Steel

What is the overall mass of the part in pounds?

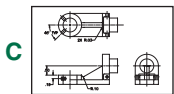
- A. 0.20
- B. 0.47
- C. 0.98
- D. 1.23



Please click to enlarge

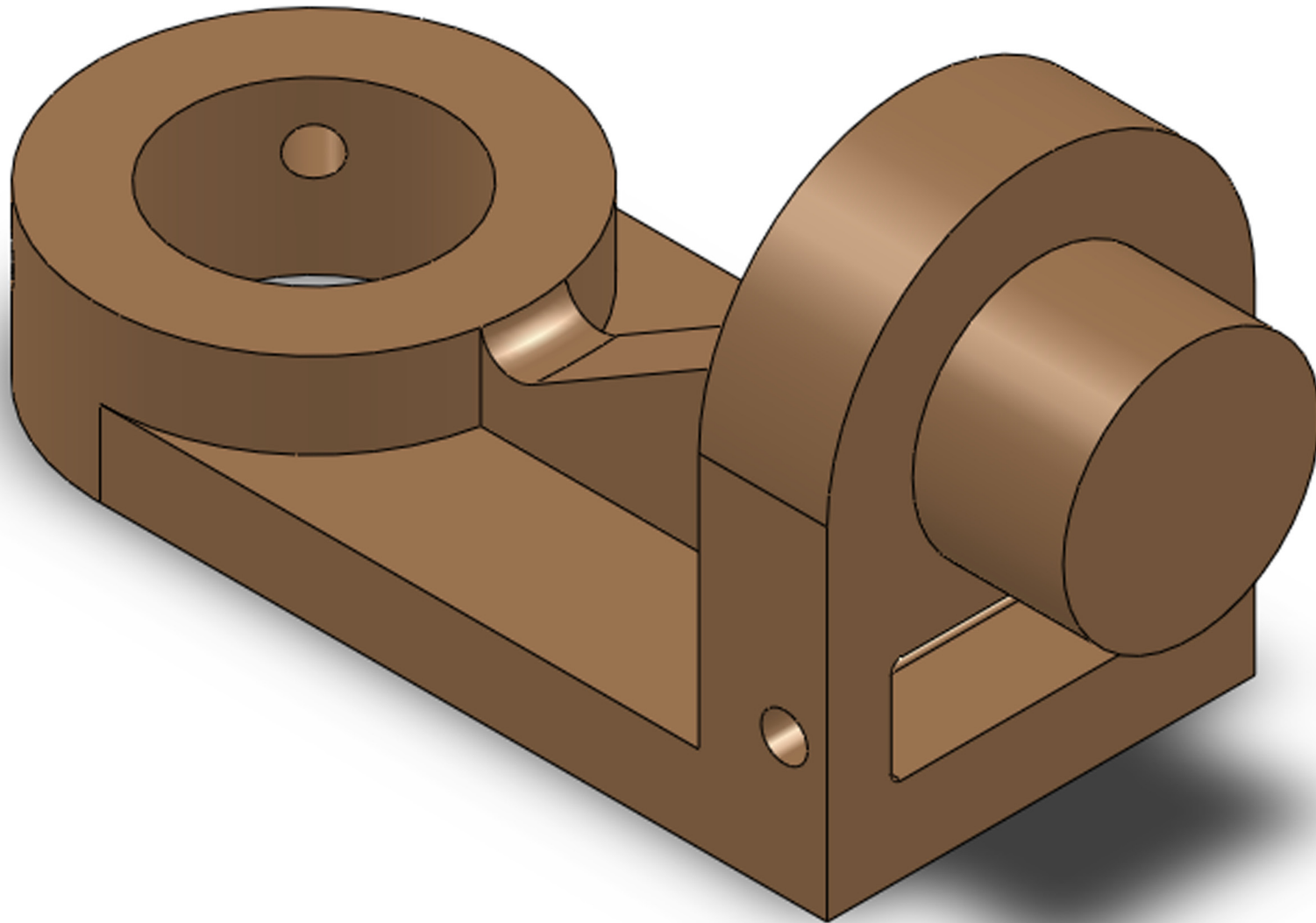


Please click to enlarge



Please click to enlarge

Practice Question 2A



Practice Question 2C

